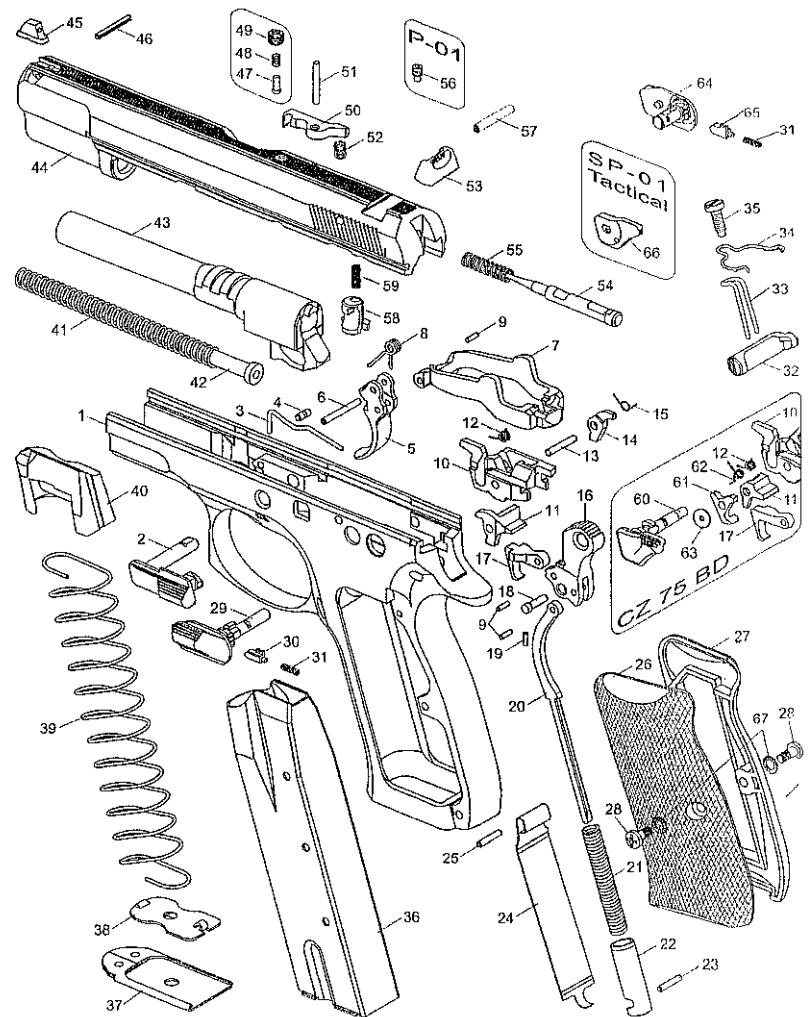


CLICK ON PARTS DESCRIPTION TO NAVIGATE TO CORRESPONDING PRODUCT PAGE

LIST OF PARTS

- | | | | |
|----|--------------------------------|----|---|
| 1 | Frame * | 36 | Magazine Body * |
| 2 | Slide Stop * | 37 | Magazine Base * |
| 3 | Slide Stop Spring * | 38 | Magazine Base Lock |
| 4 | Slide Stop Spring Pin | 39 | Magazine Spring * |
| 5 | Trigger * | 40 | Follower * |
| 6 | Trigger Pin | 41 | Recoil Spring * |
| 7 | Trigger Bar * | 42 | Recoil Spring Guide * |
| 8 | Trigger Spring | 43 | Barrel * |
| 9 | Pin (3x) | 44 | Slide * |
| 10 | Ejector * | 45 | Front Sight |
| 11 | Sear * | 46 | Front Sight Pin |
| 12 | Sear Spring | 47 | Loaded Chamber Indicator * |
| 13 | Sear Pin * | 48 | Loaded Chamber Indicator Spring * |
| 14 | Firing Pin Block Lever | 49 | Loaded Chamber Indicator Nut * |
| 15 | Firing Pin Block Lever Spring | 50 | Extractor * |
| 16 | Hammer * | 51 | Extractor Pin |
| 17 | Disconnecter * | 52 | Extractor Spring |
| 18 | Hammer Pin | 53 | Rear Sight * |
| 19 | Hammer Pin Retaining Peg | 54 | Firing Pin |
| 20 | Main Spring Strut * | 55 | Firing Pin Spring |
| 21 | Main Spring | 56 | Securing Screw * |
| 22 | Main Spring Plug * | 57 | Firing Pin Coiled Pin |
| 23 | Main Spring Plug Pin | 58 | Firing Pin Block Stop |
| 24 | Magazine Guide | 59 | Firing Pin Block Stop Spring |
| 25 | Magazine Guide Pin | 60 | Hammer Decocking Lever Controller * |
| 26 | Grip Panel - Left * | 61 | Decocking Lever * |
| 27 | Grip Panel - Right * | 62 | Decocking Lever Spring * |
| 28 | Grip Panel Screw (2x) | 63 | Fixing Insert * |
| 29 | Safety * | 64 | Safety - Right * |
| 30 | Safety Detent Plunger * | 65 | Safety Detent Plunger - Right * |
| 31 | Safety Detent Plunger Spring * | 66 | Hammer Decocking Lever Controller - Right * |
| 32 | Magazine Catch * | 67 | Fan-shaped Washer (2x) * |
| 33 | Magazine Catch Spring | | |
| 34 | Trigger Bar Spring | | |
| 35 | Magazine Catch Spring Screw | | |



Comments:

The parts marked * differ according to versions, or as case may be in some versions are entirely missing.

*If part is not clickable, it is either not available or not sold separately.