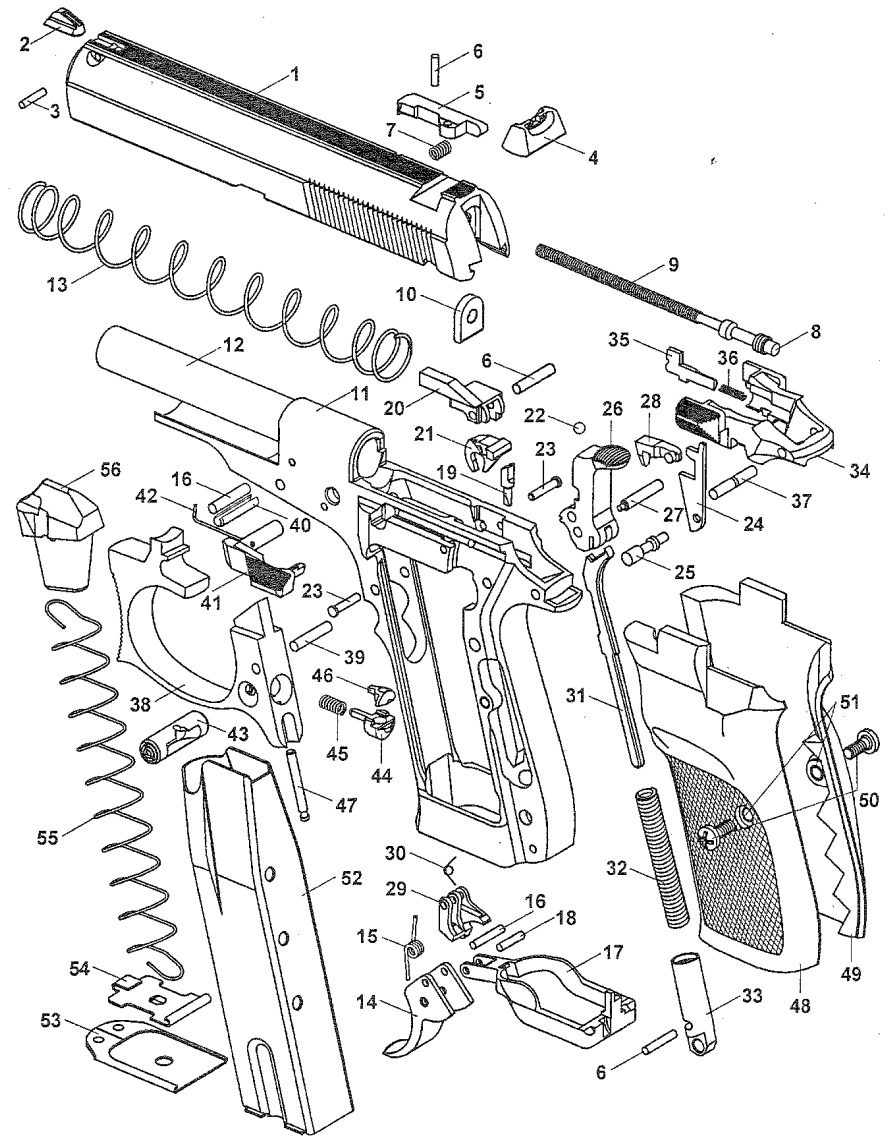


CLICK ON PART DESCRIPTION TO NAVIGATE TO CORRESPONDING PRODUCT PAGE

LIST OF PARTS

- |                                   |                               |
|-----------------------------------|-------------------------------|
| 1 Slide                           | 29 Sear                       |
| 2 Front Sight                     | 30 Sear Spring                |
| 3 Front Sight Pin                 | 31 Main Spring Strut          |
| 4 Rear Sight                      | 32 Main Spring                |
| 5 Extractor                       | 33 Main Spring Plug           |
| 6 Pin (3x)                        | 34 Safety                     |
| 7 Extractor Spring                | 35 Safety Latch               |
| 8 Firing Pin                      | 36 Safety Latch Spring        |
| 9 Firing Pin Spring               | 37 Safety Pin                 |
| 10 Firing Pin Stop                | 38 Trigger Guard              |
| 11 Frame                          | 39 Pin                        |
| 12 Barrel                         | 40 Trigger Guard Pin          |
| 13 Recoil Spring                  | 41 Slide Stop                 |
| 14 Trigger                        | 42 Slide Stop Spring          |
| 15 Trigger Spring                 | 43 Magazine Catch Push Button |
| 16 Pin (2x)                       | 44 Magazine Catch             |
| 17 Trigger Bar                    | 45 Magazine Catch Spring      |
| 18 Trigger Bar Pin                | 46 Magazine Catch Lever       |
| 19 Disconnecter                   | 47 Magazine Catch Lever Pin   |
| 20 Ejector                        | 48 Left Grip Panel            |
| 21 Automatic Safety               | 49 Right Grip Panel           |
| 22 Steel Ball                     | 50 Grip Panel Screw (2x)      |
| 23 Pin (2x)                       | 51 Grip Panel Insert (2x)     |
| 24 Trigger Bar Disconnecter       | 52 Magazine Body              |
| 25 Trigger Bar Disconnecter Rivet | 53 Magazine Base              |
| 26 Hammer                         | 54 Magazine Base Lock         |
| 27 Hammer Pin                     | 55 Magazine Spring            |
| 28 Hammer Lever                   | 56 Magazine Follower          |



\*If part is not clickable, it is either not available or not sold separately.