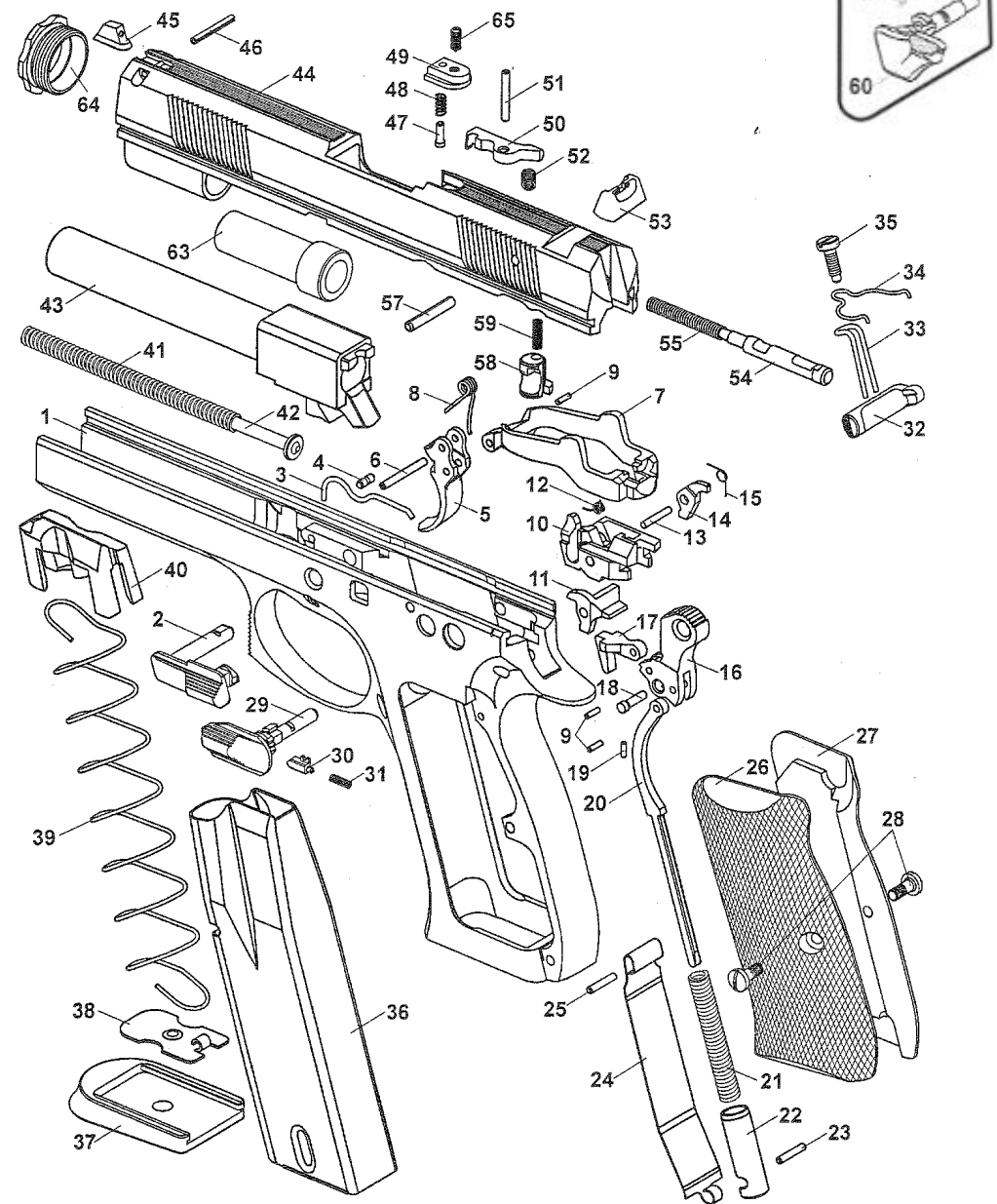


CLICK ON PARTS DESCRIPTION TO NAVIGATE TO CORRESPONDING PRODUCT PAGE

- 1 Frame
- 2 Slide Stop
- 3 Slide Stop Spring
- 4 Slide Stop Spring Pin
- 5 Trigger
- 6 Trigger Pin
- 7 Trigger Bar
- 8 Trigger Spring
- 9 Pin (3x)
- 10 Ejector
- 11 Sear
- 12 Sear Spring
- 13 Sear Spring Pin
- 14 Firing Pin Block Lever
- 15 Firing Pin Block Lever Spring
- 16 Hammer
- 17 Disconnecter
- 18 Hammer Pin
- 19 Hammer Pin Retaining Peg
- 20 Main Spring Strut
- 21 Main Spring
- 22 Main Spring Plug
- 23 Main Spring Plug Pin
- 24 Magazine Brake
- 25 Magazine Brake Pin
- 26 Grip Panel - Left
- 27 Grip Panel - Right
- 28 Grip Panel Screw (2x)
- 29 Safety
- 30 Safety Detent Plunger
- 31 Safety Detent Plunger Spring
- 32 Magazine Catch
- 33 Magazine Catch Spring

- 34 Trigger Bar Spring
- 35 Magazine Catch Spring Screw
- 36 Magazine Body
- 37 Magazine Base
- 38 Magazine Base Lock
- 39 Magazine Spring
- 40 Follower
- 41 Recoil Spring
- 42 Recoil Spring Guide
- 43 Barrel
- 44 Slide with Barrel Bushing
- 45 Front Sight
- 46 Front Sight Pin
- 47 Loaded Chamber Indicator
- 48 Loaded Chamber Indicator Spring
- 49 Loaded Chamber Indicator Nut
- 50 Extractor
- 51 Extractor Pin
- 52 Extractor Spring
- 53 Rear Sight
- 54 Firing Pin
- 55 Firing Pin Spring
- 56 -
- 57 Firing Pin Roll Pin
- 58 Firing Pin Block Stop
- 59 Firing Pin Block Stop Spring
- 60 Decocking Lever Controller
- 61 Decocking Lever
- 62 Decocking Lever Spring
- 63 Recoil Spring Housing
- 64 Barrel Bushing
- 65 Barrel Stop Screw

ILLUSTRATION AND LIST OF PARTS



Comments:

The numbers marked with dash (-) are stated here for the purpose of conformity with the lists of other pistol parts only.

\*If part is not clickable, it is either not available or not sold separately.