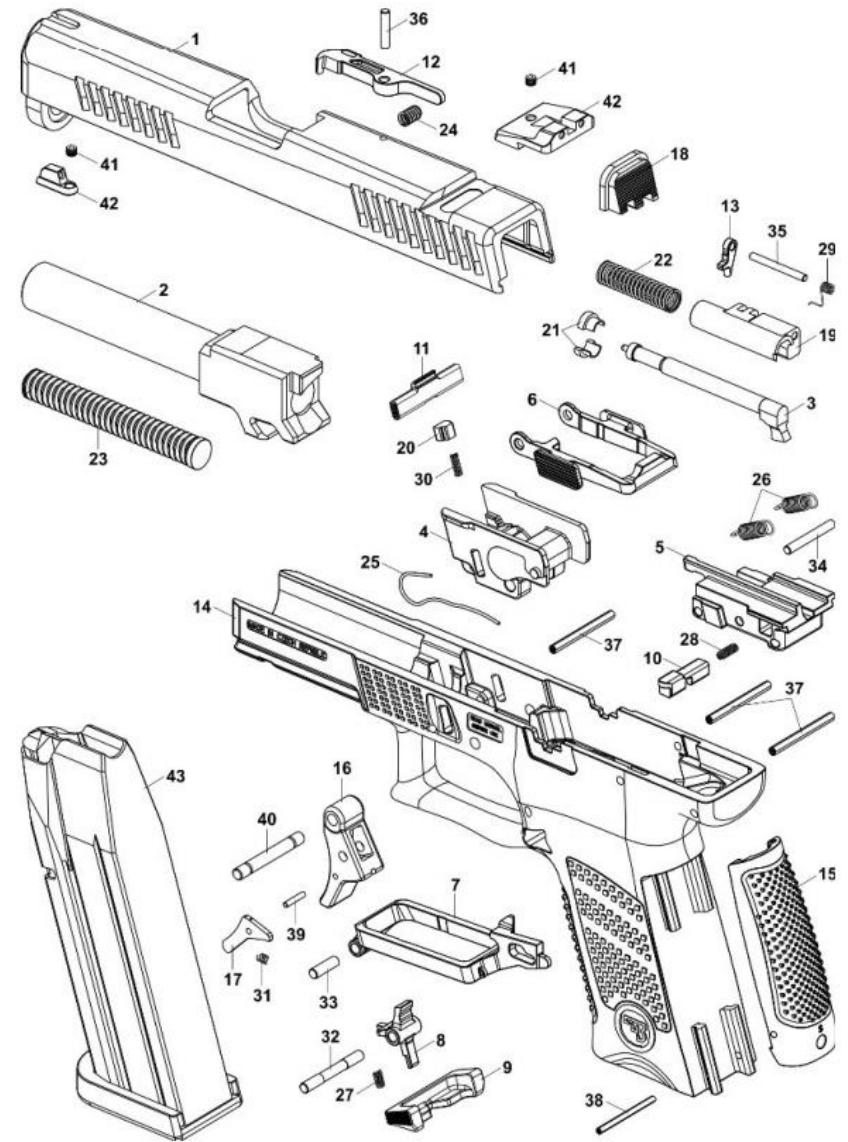


**CLICK ON PART DESCRIPTION TO NAVIGATE TO CORRESPONDING PRODUCT PAGE**

- |                                |                                     |
|--------------------------------|-------------------------------------|
| 1. Slide *                     | 22. Firing pin spring               |
| 2. Barrel *                    | 23. Recoil spring                   |
| 3. Firing pin                  | 24. Extractor spring                |
| 4. Insert - front              | 25. Slide stop spring               |
| 5. Insert - rear               | 26. Trigger bar spring (2x)         |
| 6. Slide stop                  | 27. Magazine catch spring           |
| 7. Trigger bar                 | 28. Trigger bar disconnecter spring |
| 8. Magazine catch              | 29. Automatic safety spring         |
| 9. Magazine catch button       | 30. Disassembly plate spring        |
| 10. Trigger bar disconnecter * | 31. Trigger safety spring           |
| 11. Disassembly plate          | 32. Magazine catch pin              |
| 12. Extractor                  | 33. Trigger bar pin                 |
| 13. Automatic safety           | 34. Trigger bar spring pin          |
| 14. Frame                      | 35. Automatic safety pin            |
| 15. a) Back strap "S"          | 36. Extractor pin                   |
| b) Back strap "M"              | 37. Coiled pin (3x)                 |
| c) Back strap "L"              | 38. Interchangeable back strap pin  |
| 16. Trigger                    | 39. Trigger safety pin              |
| 17. Trigger safety             | 40. Front insert pin                |
| 18. Slide cover                | 41. Securing screw (2x) *           |
| 19. Firing pin case            | 42. Set of sights *                 |
| 20. Disassembly plate retainer | 43. Magazine *                      |
| 21. Spring holder (2x)         |                                     |



**\*If part is not clickable, it is either not available or not sold separately.**