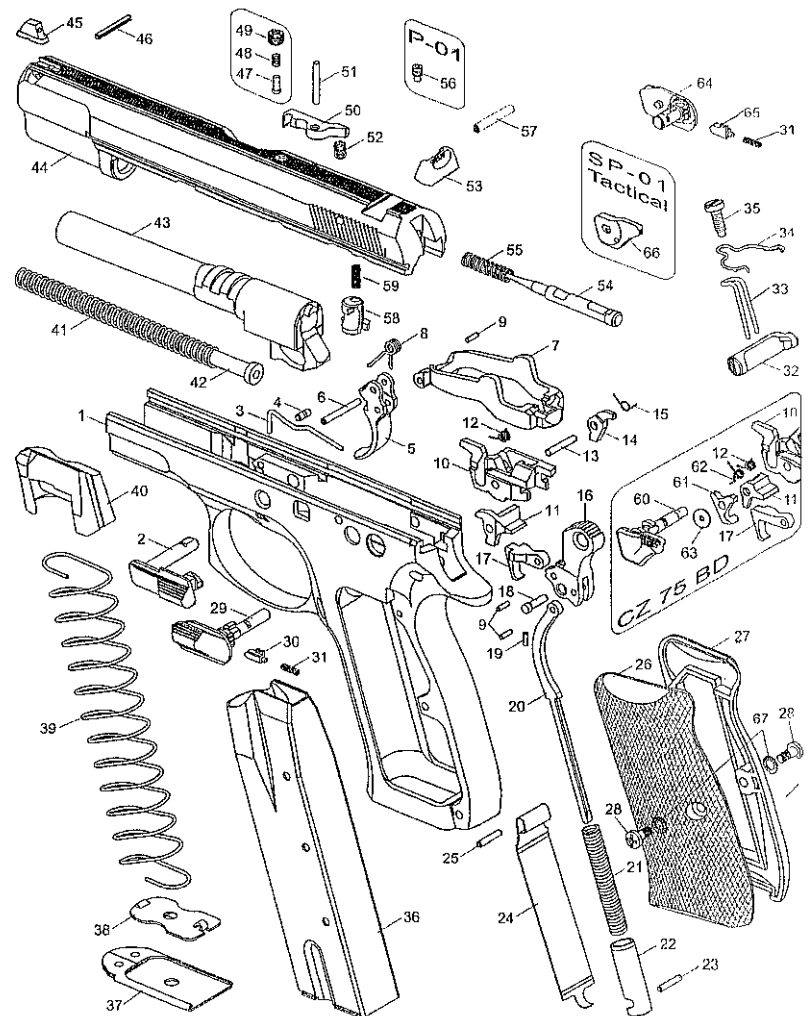


CLICK ON PARTS DESCRIPTION TO NAVIGATE TO CORRESPONDING PRODUCT PAGE

LIST OF PARTS

- |    |                                |    |   |
|----|--------------------------------|----|---|
| 1  | Frame *                        | 36 | Magazine Body *                             |
| 2  | Slide Stop *                   | 37 | Magazine Base *                             |
| 3  | Slide Stop Spring *            | 38 | Magazine Base Lock                          |
| 4  | Slide Stop Spring Pin          | 39 | Magazine Spring *                           |
| 5  | Trigger *                      | 40 | Follower *                                  |
| 6  | Trigger Pin                    | 41 | Recoil Spring *                             |
| 7  | Trigger Bar *                  | 42 | Recoil Spring Guide *                       |
| 8  | Trigger Spring                 | 43 | Barrel *                                    |
| 9  | Pin (3x)                       | 44 | Slide *                                     |
| 10 | Ejector *                      | 45 | Front Sight                                 |
| 11 | Sear *                         | 46 | Front Sight Pin                             |
| 12 | Sear Spring                    | 47 | Loaded Chamber Indicator *                  |
| 13 | Sear Pin *                     | 48 | Loaded Chamber Indicator Spring *           |
| 14 | Firing Pin Block Lever         | 49 | Loaded Chamber Indicator Nut *              |
| 15 | Firing Pin Block Lever Spring  | 50 | Extractor *                                 |
| 16 | Hammer *                       | 51 | Extractor Pin                               |
| 17 | Disconnecter *                 | 52 | Extractor Spring                            |
| 18 | Hammer Pin                     | 53 | Rear Sight *                                |
| 19 | Hammer Pin Retaining Peg       | 54 | Firing Pin                                  |
| 20 | Main Spring Strut *            | 55 | Firing Pin Spring                           |
| 21 | Main Spring                    | 56 | Securing Screw *                            |
| 22 | Main Spring Plug *             | 57 | Firing Pin Coiled Pin                       |
| 23 | Main Spring Plug Pin           | 58 | Firing Pin Block Stop                       |
| 24 | Magazine Guide                 | 59 | Firing Pin Block Stop Spring                |
| 25 | Magazine Guide Pin             | 60 | Hammer Decocking Lever Controller *         |
| 26 | Grip Panel - Left *            | 61 | Decocking Lever *                           |
| 27 | Grip Panel - Right *           | 62 | Decocking Lever Spring *                    |
| 28 | Grip Panel Screw (2x)          | 63 | Fixing Insert *                             |
| 29 | Safety *                       | 64 | Safety - Right *                            |
| 30 | Safety Detent Plunger *        | 65 | Safety Detent Plunger - Right *             |
| 31 | Safety Detent Plunger Spring * | 66 | Hammer Decocking Lever Controller - Right * |
| 32 | Magazine Catch *               | 67 | Fan-shaped Washer (2x) *                    |
| 33 | Magazine Catch Spring          |    |   |
| 34 | Trigger Bar Spring             |    |   |
| 35 | Magazine Catch Spring Screw    |    |   |



Comments:

The parts marked \* differ according to versions, or as case may be in some versions are entirely missing.

\*If part is not clickable, it is either not available or not sold separately.