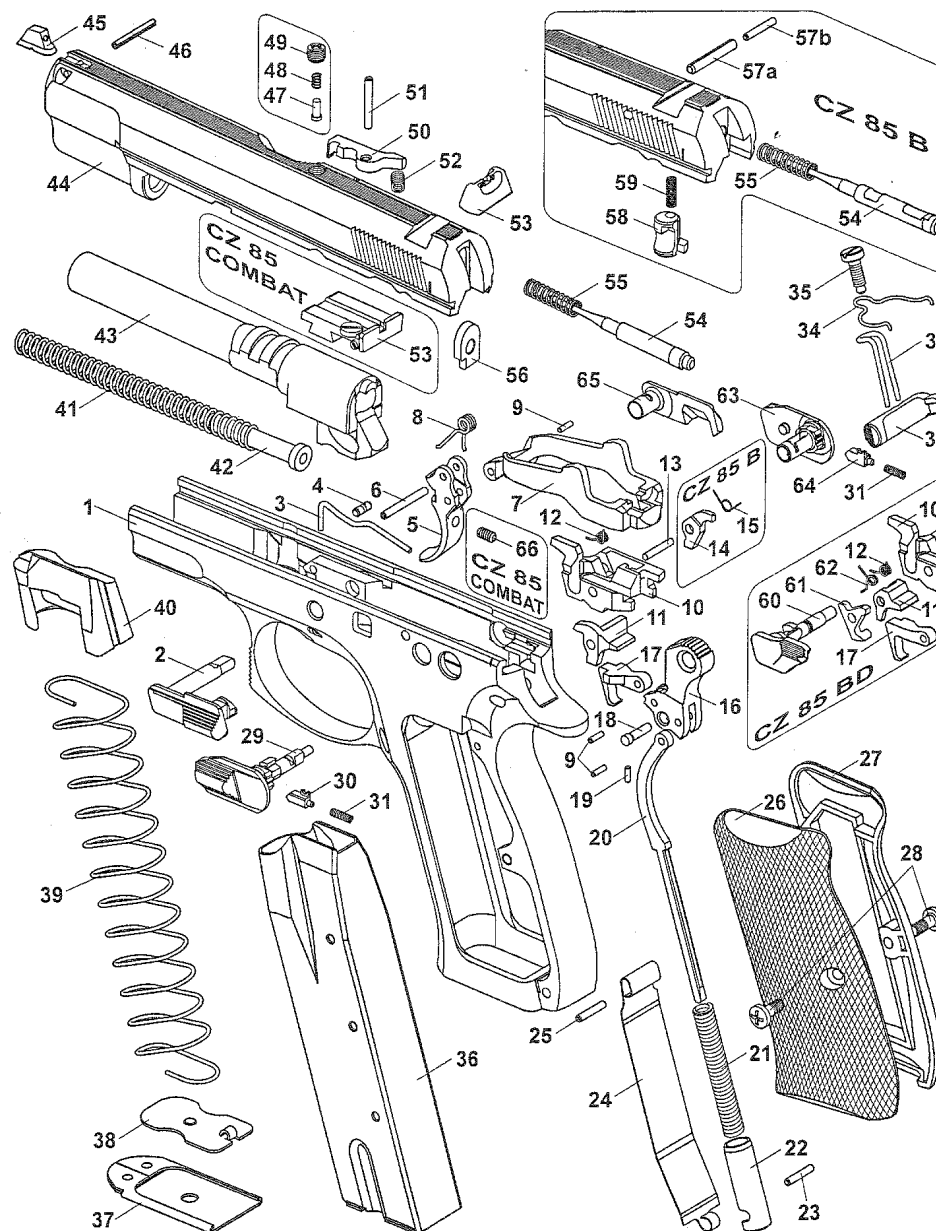


- 1 Frame *
- 2 Slide Stop*
- 3 Slide Stop Spring
- 4 Slide Stop Spring Pin
- 5 Trigger *
- 6 Trigger Pin
- 7 Trigger Bar *
- 8 Trigger Spring
- 9 Pin (3x)
- 10 Ejector *
- 11 Sear *
- 12 Sear Spring
- 13 Sear Pin *
- 14 Firing Pin Block Lever *
- 15 Firing Pin Block Lever Spring *
- 16 Hammer *
- 17 Disconnecter *
- 18 Hammer Pin
- 19 Hammer Pin Retaining Peg
- 20 Main Spring Strut
- 21 Main Spring
- 22 Main Spring Plug *
- 23 Main Spring Plug Pin
- 24 Magazine Brake *
- 25 Magazine Brake Pin
- 26 Grip Panel - Left *
- 27 Grip Panel - Right *
- 28 Grip Panel Screw (2x)
- 29 Safety - Left *
- 30 Safety Detent Plunger - Left *
- 31 Safety Detent Plunger Spring (2x) *
- 32 Magazine Catch *
- 33 Magazine Catch Spring

- 34 Trigger Bar Spring
- 35 Magazine Catch Spring Screw
- 36 Magazine Body *
- 37 Magazine Base
- 38 Magazine Base Lock
- 39 Magazine Spring *
- 40 Follower *
- 41 Recoil Spring
- 42 Recoil Spring Guide
- 43 Barrel *
- 44 Slide with Barrel Bushing *
- 45 Front Sight
- 46 Front Sight Pin
- 47 Loaded Chamber Indicator *
- 48 Loaded Chamber Indicator Spring *
- 49 Loaded Chamber Indicator Nut *
- 50 Extractor *
- 51 Extractor Pin
- 52 Extractor Spring
- 53 Rear Sight
- 54 Firing Pin *
- 55 Firing Pin Spring
- 56 Firing Pin Stop *
- 57 a) Firing Pin Roll Pin $\varnothing 3$ *
- 57 b) Firing Pin Roll Pin $\varnothing 2$ *
- 58 Firing Pin Block Stop *
- 59 Firing Pin Block Stop Spring *
- 60 Hammer Decocking Lever Controller *
- 61 Decocking Lever *
- 62 Decocking Lever Spring *
- 63 Safety - Right *
- 64 Safety Detent Plunger - Right *
- 65 Slide Stop - Right *
- 66 Trigger Overtravel Adjusting Screw *

ILLUSTRATION AND LIST OF PARTS



Comments:

The parts marked * differ according to versions, or as case may be in some versions are entirely missing.

*If part is not clickable, it is either not available or not sold separately.