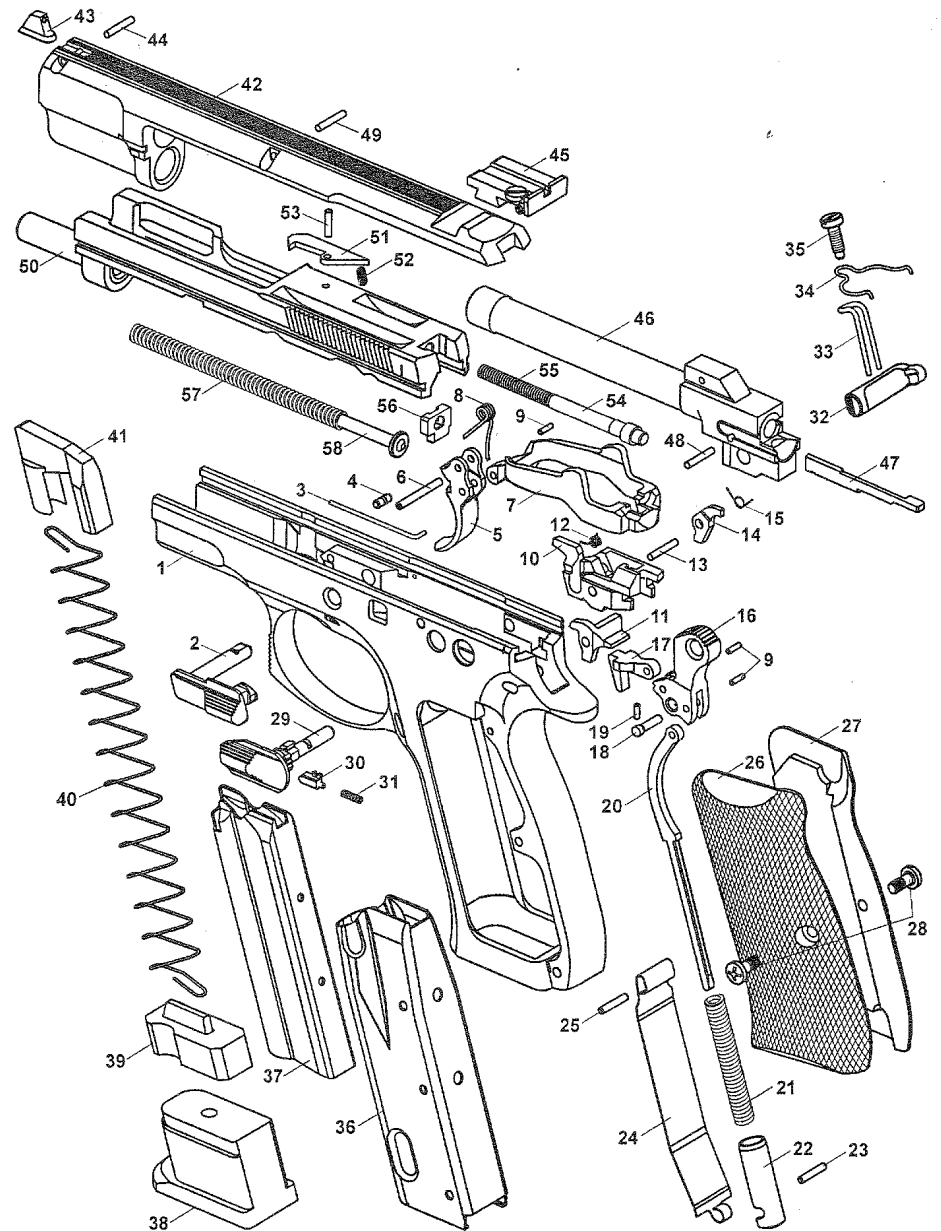


CLICK ON PART DESCRIPTION TO NAVIGATE TO CORRESPONDING PRODUCT PAGE

- 1 Frame
- 2 Slide Stop
- 3 Slide Stop Spring
- 4 Slide Stop Spring Pin
- 5 Trigger
- 6 Trigger Pin
- 7 Trigger Bar
- 8 Trigger Spring
- 9 Pin (3x)
- 10 Ejector
- 11 Sear
- 12 Sear Spring
- 13 Sear Pin
- 14 Blocking Lever
- 15 Blocking Lever Spring
- 16 Hammer
- 17 Disconnecter
- 18 Hammer Pin
- 19 Hammer Pin Retainer
- 20 Main Spring Strut
- 21 Main Spring
- 22 Main Spring Plug
- 23 Main Spring Plug Pin
- 24 Flat Spring
- 25 Flat Spring Pin
- 26 Left Grip Panel
- 27 Right Grip Panel
- 28 Grip Screw (2x)
- 29 Safety

- 30 Safety Detent Plunger
- 31 Safety Plunger Spring
- 32 Magazine Catch
- 33 Magazine Catch Spring
- 34 Trigger Bar Spring
- 35 Magazine Catch Spring Screw
- 36 Magazine Body
- 37 Magazine Insert
- 38 Magazine Base
- 39 Magazine Base Lock
- 40 Magazine Spring
- 41 Follower
- 42 Slide Housing
- 43 Front Sight
- 44 Front Sight Pin
- 45 Adjustable Rear Sight
- 46 Barrel
- 47 Adapter Ejector
- 48 Pin
- 49 Barrel Pin
- 50 Slide
- 51 Extractor
- 52 Extractor Spring
- 53 Extractor Pin
- 54 Firing Pin
- 55 Firing Pin Spring
- 56 Firing Pin Stop
- 57 Recoil Spring
- 58 Recoil Spring Guide



\*If part is not clickable, it is either not available or not sold separately.