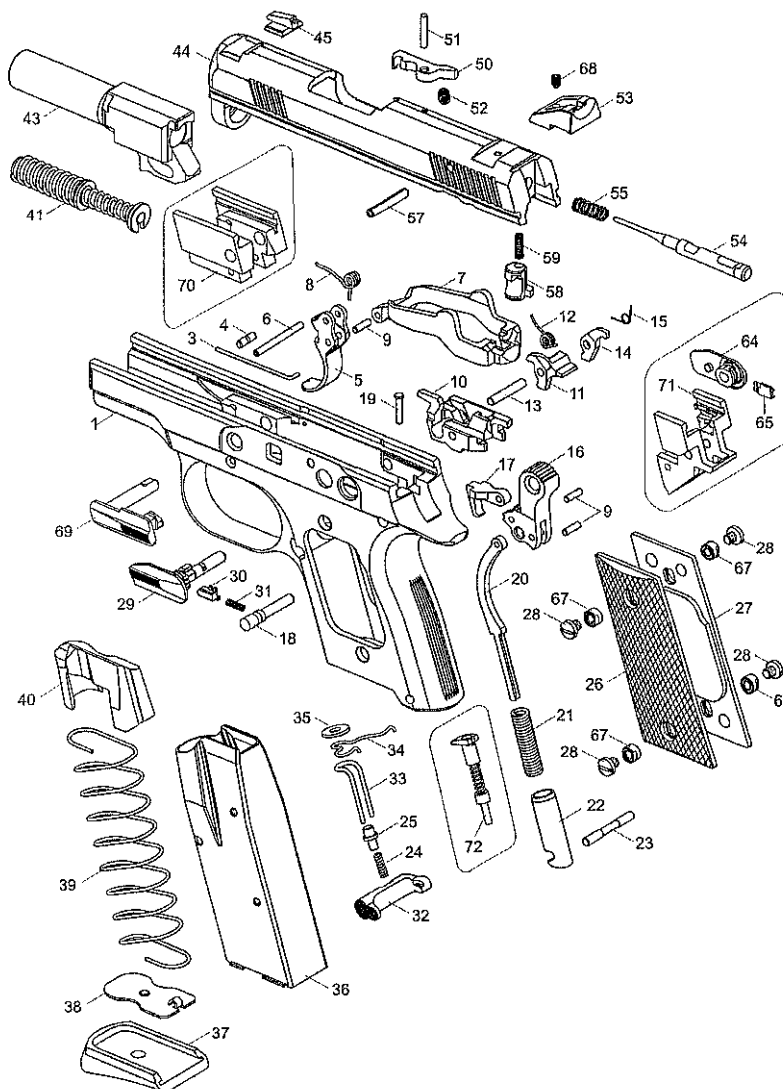


CLICK ON PARTS DESCRIPTION TO NAVIGATE TO CORRESPONDING PRODUCT PAGE

LIST OF PARTS

- | | |
|----------------------------------|------------------------------------|
| 1 Frame * | 37 Magazine Base |
| 2 - | 38 Magazine Base Lock |
| 3 Slide Stop Spring | 39 Magazine Spring |
| 4 Slide Stop Spring Pin | 40 Follower |
| 5 Trigger | 41 Recoil Spring * |
| 6 Trigger Pin | 42 - |
| 7 Trigger Bar | 43 Barrel * |
| 8 Trigger Spring | 44 Slide * |
| 9 Pin (3x) | 45 Front Sight |
| 10 Ejector | 46 - |
| 11 Sear | 47 - |
| 12 Sear Spring | 48 - |
| 13 Sear Pin | 49 - |
| 14 Firing Pin Block Lever | 50 Extractor * |
| 15 Firing Pin Block Lever Spring | 51 Extractor Pin * |
| 16 Hammer | 52 Extractor Spring * |
| 17 Disconnecter | 53 Rear Sight |
| 18 Hammer Pin * | 54 Firing Pin |
| 19 Hammer Pin Retaining Peg * | 55 Firing Pin Spring |
| 20 Main Spring Strut | 56 - |
| 21 Main Spring | 57 Firing Pin Roll Pin |
| 22 Main Spring Plug | 58 Firing Pin Block Stop |
| 23 Main Spring Plug Pin | 59 Firing Pin Block Stop Spring |
| 24 Trigger Bar Pin Spring * | 60 - |
| 25 Trigger Bar Lifter * | 61 - |
| 26 Grip Panel - Left * | 62 - |
| 27 Grip Panel - Right * | 63 - |
| 28 Grip Panel Screw (4x) * | 64 Safety - Right * |
| 29 Safety - Left | 65 Safety Detent Plunger - Right * |
| 30 Safety Detent Plunger - Left | 66 - |
| 31 Safety Detent Plunger Spring | 67 Grip Panel Screw Sleeve (4x) * |
| 32 Magazine Catch * | 68 Rear Sight Locking Screw |
| 33 Magazine Catch Spring * | 69 Slide Stop |
| 34 Trigger Bar Spring * | 70 Insert - Front * |
| 35 Trigger Bar Lifter Washer * | 71 Insert - Rear * |
| 36 Magazine Body | 72 Trigger Bar Lifter * |



The numbers marked with dash (-) are stated here for the purpose of conformity with the lists of other pistol parts only.

The parts marked * differ according to versions, or as case may be in some versions are entirely missing.

***If part is not clickable, it is either not available or not sold separately.**