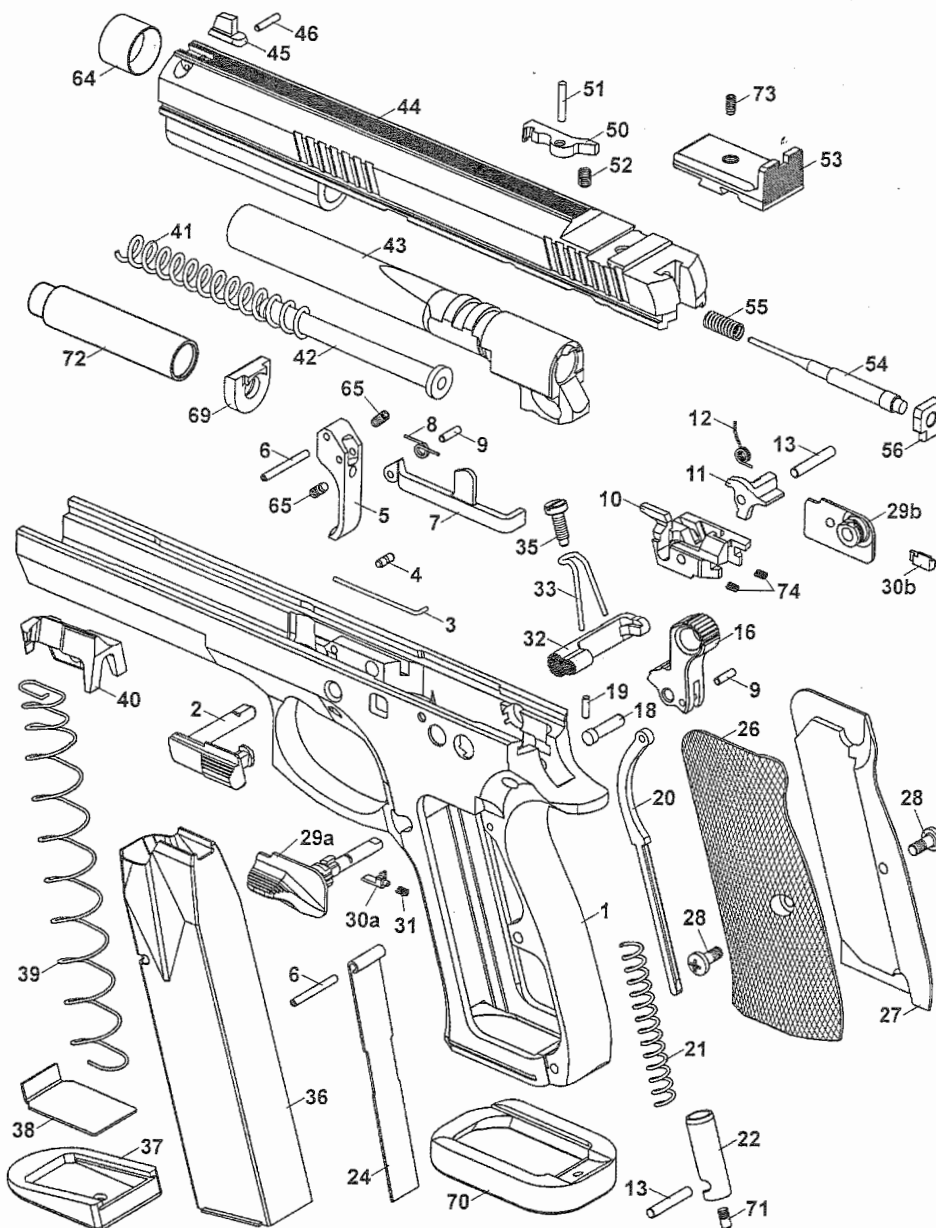


CLICK ON PARTS DESCRIPTION TO NAVIGATE TO CORRESPONDING PRODUCT PAGE

- |                                    |                                  |
|------------------------------------|----------------------------------|
| 1 Frame                            | 37 Magazine Base                 |
| 2 Slide Stop                       | 38 Magazine Base Lock            |
| 3 Slide Stop Spring                | 39 Magazine Spring               |
| 4 Slide Stop Spring Pin            | 40 Follower                      |
| 5 Trigger                          | 41 Recoil Spring                 |
| 6 Trigger Pin (2x)                 | 42 Recoil Spring Guide Rod       |
| 7 Trigger Bar                      | 43 Barrel                        |
| 8 Trigger Spring                   | 44 Slide                         |
| 9 Pin (2x)                         | 45 Front Sight                   |
| 10 Ejector                         | 46 Front Sight Pin               |
| 11 Sear                            | 47 -                             |
| 12 Sear Spring                     | 48 -                             |
| 13 Sear Spring Pin (2x)            | 49 -                             |
| 14 -                               | 50 Extractor                     |
| 15 -                               | 51 Extractor Pin                 |
| 16 Hammer                          | 52 Extractor Spring              |
| 17 -                               | 53 Rear Sight                    |
| 18 Hammer Pin                      | 54 Firing Pin                    |
| 19 Hammer Pin Retaining Peg        | 55 Firing Pin Spring             |
| 20 Main Spring Strut               | 56 Firing Pin Spring Stop        |
| 21 Main Spring                     | 57 -                             |
| 22 Main Spring Plug                | 58 -                             |
| 23 -                               | 59 -                             |
| 24 Magazine Funnel                 | 60 -                             |
| 25 -                               | 61 -                             |
| 26 Grip Panel - Left               | 62 -                             |
| 27 Grip Panel - Right              | 63 -                             |
| 28 Grip Panel Screw (2x)           | 64 Barrel Bushing                |
| 29 a) Safety - Left                | 65 Trigger Adjustment Screw (2x) |
| b) Safety - Right                  | 66 -                             |
| 30 a) Safety Detent Plunger - Left | 67 -                             |
| b) Safety Detent Plunger - Right   | 68 -                             |
| 31 Safety Detent Plunger Spring    | 69 Buffer *                      |
| 32 Magazine Catch                  | 70 Funnel                        |
| 33 Magazine Catch Spring           | 71 Main Spring Plug Pin          |
| 34 -                               | 72 Sleeve **                     |
| 35 Magazine Catch Spring Screw     | 73 Securing Screw                |
| 36 Magazine Body                   | 74 Ejector Spring (2x)           |

ILLUSTRATION AND LIST OF PARTS



Comments:

The numbers marked with dash (-) are stated here for the purpose of conformity with the lists of other pistol parts only. The part marked \* is only for pistols in .40 S&W caliber. The part marked \*\* is only for pistols in 9x19 caliber.

\*If part is not clickable, it is either not available or not sold separately.